

A Leading Global
**Professional
Visual Inspection**
Equipment Manufacturer

[Http://www.jutze.com.cn](http://www.jutze.com.cn)

RCAB

www.rc-ab.se
info@rc-ab.se

Authorised Distributor

Descriptions subject to change without prior notice. Please read the operation manual carefully before use the equipment



COMPANY PROFILE

Jutze is a professional visual inspection equipment manufacturer. Since being founded, continues innovation and challenge, with leading technology design and manufacture of high-speed high-precision optical inspection equipment has been widely used in consumer electronics, communications terminal equipment, computer and peripheral equipment, industrial control, automotive electronics and other fields. Company is committed to become the world's leading manufacturer of automated optical inspection equipment, providing customers with better products and services create new value for the community.

DO.TRUST

Machine Vision Expert

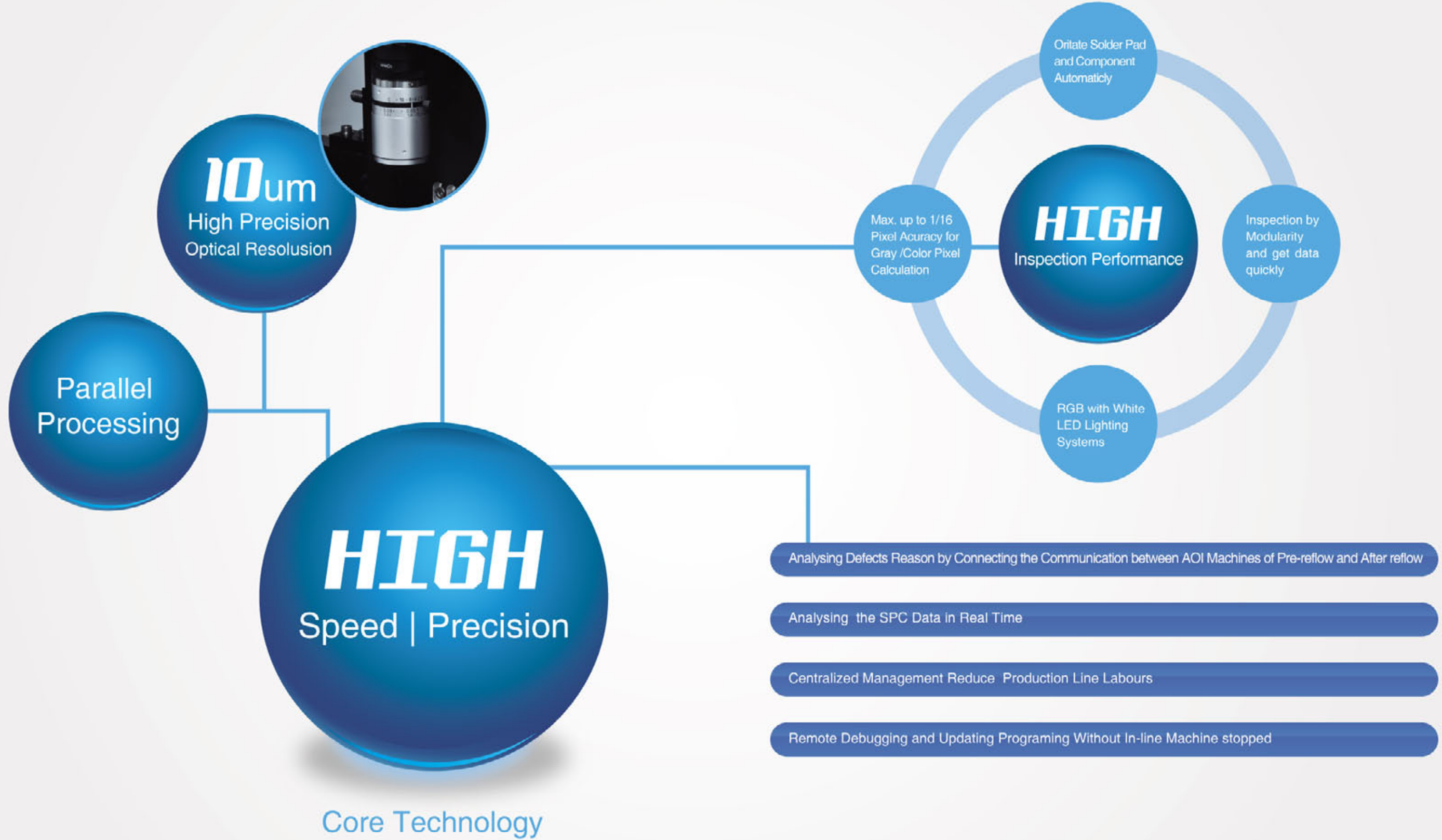
50% of JUTZE AOI machines are applied for inspecting the most precision components

01005

High Speed, High Precision



DO.TRUST



High Speed, High Accuracy.
Seek the Zero Defect of Production

Continue to improve Process Capability



LI-2000

Wide Use

Max.Board Size : 50mm X 70mm ~ 550mm X 460mm

Board Thickness: 0.4mm ~6.0mm

Resolution: 10um ~ 20um



MI-2000B

Small Compact Design

Max.Board Size : 50mm X 50mm ~ 330mm X 250mm

Board Thickness: 0.4mm ~6.0mm

Resolution: 10um ~ 20um



MI-3000

Table Fixed,
Suitable for pre-reflow &after reflow

Max.Board Size : 50mm X 50mm ~ 330mm X 250mm

Board Thickness: 0.4mm ~6.0mm

Resolution: 10um ~ 20um

Practical and Flexible
Reliable Quality Controller



MD-2000

Delicate and Efficient

Max.Board Size : 50mm X 50mm ~ 250mm X 330mm
Board Thickness: 0.4mm ~3.0mm
Resolution: 10um ~ 20um



LD-2000

Suitable for 90%
Kind of Normal Size PCB

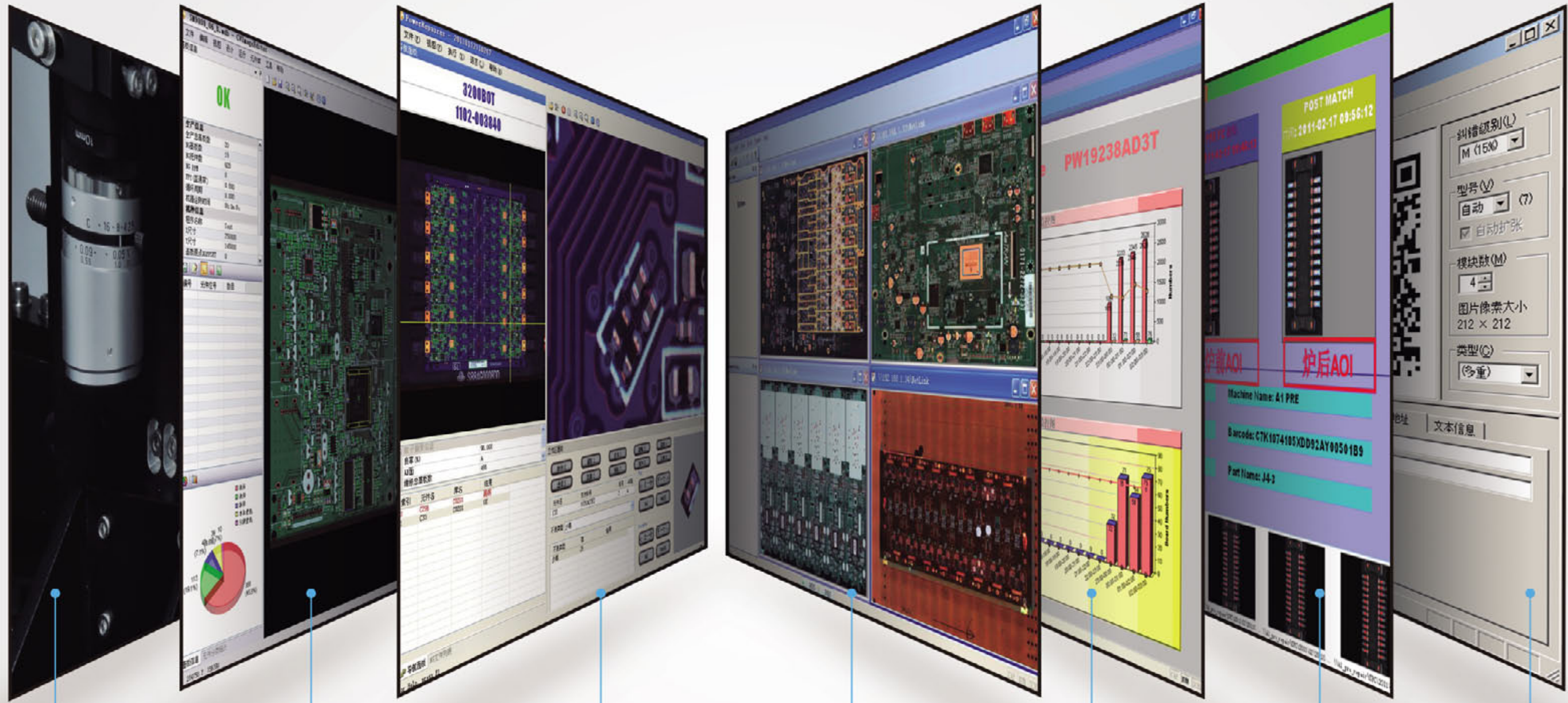
Max.Board Size : 50mm X 50mm ~ 250mm X 330mm
Board Thickness: 0.6mm ~3.0mm
Resolution: 10um ~ 20um



XD-2000

Suitable for Extra Large Size PCB

Max.Board Size : 50mm X 100mm ~ 250mm X 330mm
Board Thickness: 0.6mm ~3.0mm
Resolution: 10um ~ 20um



High Precision Image Systems

5M Pixel Camera

Remote Debugging

Can update and review parameters by connecting in-line inspection machines through net without machine stopped

Repair Terminal

Receiving the inspection results from in-line AOI at real time will let user to make judgement quickly for defects. It can connect multi-inline AOI and support function of hardware barcode scan for PCB selection. Repair results can be output at statistics form.

Centralized Management Software

To improve production line automation rate and manufacture process, reduce labour cost and set up feed back systems, it can be controlled for SMT lines by multi-point so as to analyse product process and find defect reasons.

SPC

Strong data analyse systems is easy to operate with beautiful interface. It has many functions with real time monitoring for multi-machines, PCB barcode checking, production line statistics, NG force reject analyse and all kinds of statistics forms output

Contrast Analyse

Three point image matching function can confirm the defect reasons through comparing the inspection images between before and after SPI, pre-reflow and after reflow

Barcode

1D-2D Barcode Correspondence

Machine Vision Expert

JUTZE
DO. TRUST

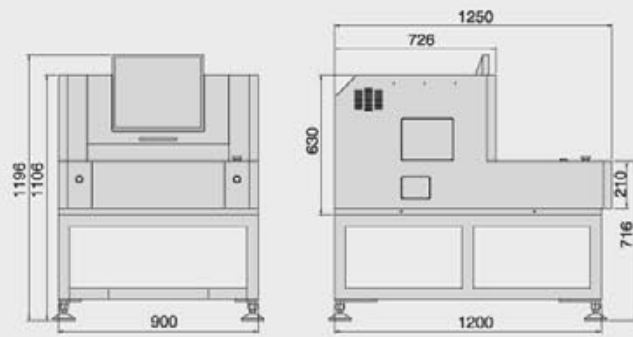
■ Production Specifications

Items		MI-2000B	MI-3000	LI-2000	XI-2000
Board	PCB Size	50mmX50mm ~ 330mmX250mm	50mmX50mm ~ 330mmX250mm	50mmX70mm ~ 550mmX460mm	50mmX70mm ~ 650mmX560mm
	PCB Clearance	Top:35mm Lower:50mm	Top:35mm Lower:50mm	Top:35mm Lower:50mm	Top:45mm Lower:50mm
	PCB Thickness	0.6mm ~ 6mm	0.6mm ~ 6mm	0.6mm ~ 6mm	0.6mm ~ 6mm
Conveyor	Height	900 ± 20mm			
	Flow Direction	Setting according to customer request			
Machine External Dimensions		W710mm X D795mm X H1650mm	W860mm X D900mm X H1660mm	W1140mm X D1120mm X H1660mm	W1200mm X D1200mm X H1720mm
Machine Weight		260kg	680kg	780kg	860kg
Optical systems	Camera	2M Pixle (5M Pixel Optional) Industrial Digital Camera			
	Lighting Systems	High Gray and 4 Channels LED Light Source			
	resolution	17.5um Standard (10um ~ 20um adjustable, Setting according to customer request)			
	FOV Size	32mm X 24mm (at 2M Pixel 20um)			
	Take Imaging/calculate time	4 ~ 5 FOV/sec			
Inspection Items		Missing, Shift, Polarity, Tombstone, Bridge, Insufficient Solder, Lifted Chip, OCV			
Power Supply		AC220V 50/60Hz 1.8kVA			
Air Source		0.5 MPa			
Environment request		Temperature 5 ~ 40 , Humidity 25% ~ 80% Non-condensing			
Communication Manner		Standard SMEMA Port			

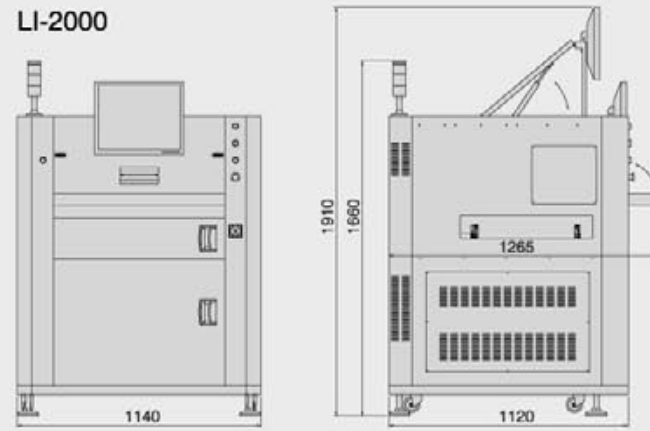
■ Production Specifications

Items		MD-2000	LD-2000	XD-2000	
Board	PCB Size	50mmX50mm ~ 250mmX330mm	50mmX50mm ~ 510mmX460mm	50mmX100mm ~ 650mmX550mm	
	PCB Clearance	Top:30mm Lower:40mm	Top:30mm Lower:75mm	Top:30mm Lower:75mm	
	PCB Thickness	0.4mm ~ 3mm	0.6mm ~ 3mm	0.6mm ~ 3mm	
Machine External Dimensions		W625mm X D847mm X H1300mm	W900mm X D1250mm X H1196mm	W1115mm X D1450mm X H1216mm	
Machine Weight		240kg	680kg	820kg	
Optical systems	Camera	2M Pixle Industrial Digital Camera			
	Lighting Systems	High Gray and 3 Channels LED Light Source			
	resolution	17.5um Standard (10um ~ 20um adjustable, Setting according to customer request)			
	FOV Size	32mm X 24mm (at 2M Pixel 20um)			
	Take Imaging/calculate time	4 ~ 5 FOV/sec			
Inspection Items		Missing, Shift, Polarity, Tombstone, Bridge, Insufficient Solder, Lifted Chip, OCV			
Power Supply		AC220V 50/60Hz 1.5kVA			
Environment request		Temperature 5 ~ 40 , Humidity 25% ~ 80% Non-condensing			

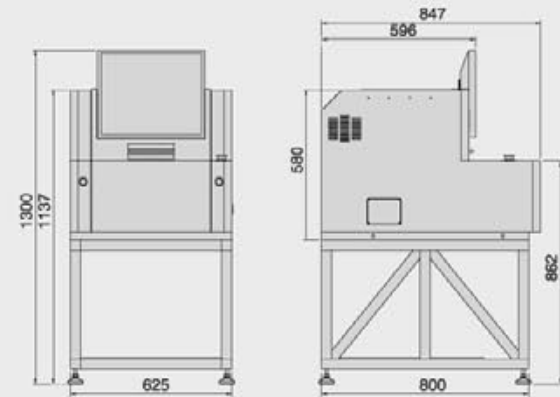
LD-2000



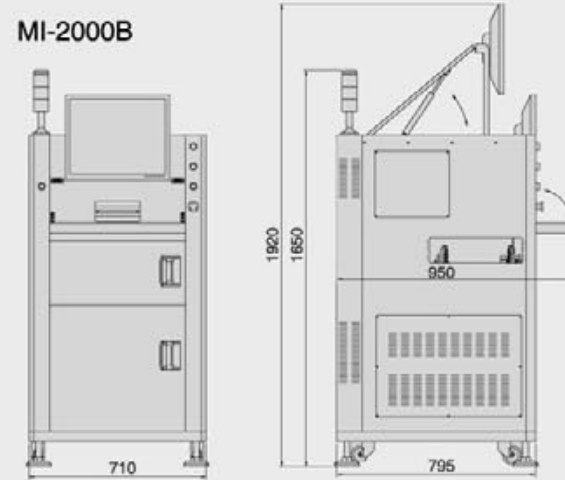
LI-2000



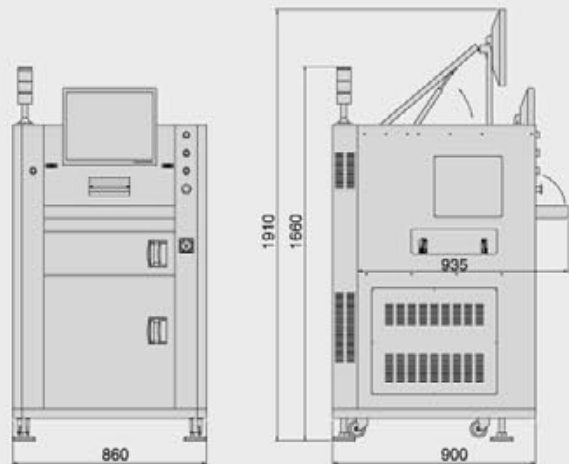
MD-2000



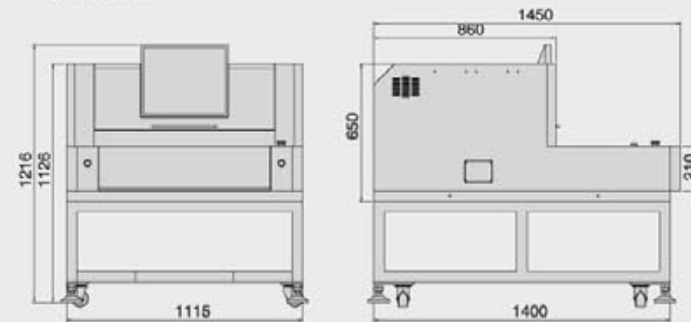
MI-2000B



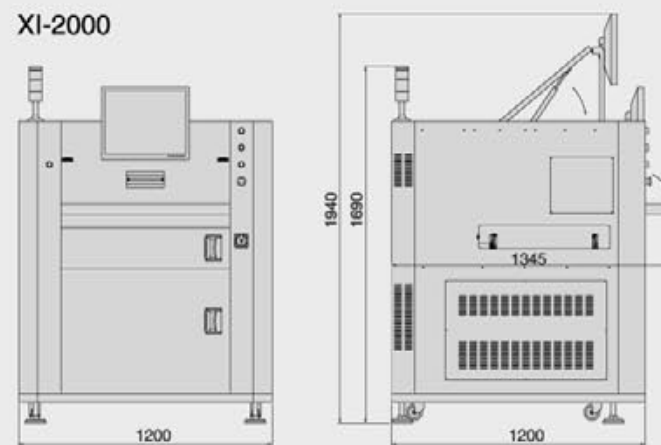
MI-3000



XD-2000



XI-2000



JUTZE
DO.TRUST

A leading global
Professional
Visual Inspection
Equipment Manufacturer

RCAB

www.rc-ab.se
info@rc-ab.se